

Specification Sheet (1 of 5)



| General          |  |
|------------------|--|
| Type of Vessel   | EuroCarrier 2611   |
| Yard number      | NP 430   |
| Basic functions  | Anchor handling, dredger service, supply towing, hose handling and survey                        |
| Classifications: | Bureau Veritas, I * HULL • MACH, SPECIAL SERVICE / MULTIPURPOSE SHIP, UNRESTRICTED AREA, AUT-UMS |
| Nat. Authorities | MCA Workboat class 1 - 150nm   |

# MarineCo Havanah



### Dimensions

|               |                  |
|---------------|------------------|
| Length o.a.   | 26.48 meters     |
| Breadth mld.  | 11.00 meters     |
| Depth at side | 3.50/3.70 meters |
| Draft         | 2.93 meters      |
| Gross Tonnage | 255              |
| Net tonnage   | 76               |

### Performances

|              |                |
|--------------|----------------|
| Bollard Pull | 37,3 (approx.) |
| Speed        | 10.8 knots     |

### Propulsion system

|  |                           |
|--|---------------------------|
| 360 Degree Electric bow thruster (280kw) |                           |
| Main Engines                             | 2 x Cummins, type QSK38-M |
| Total Power                              | 2 x 1400 bhp at 1800 rpm  |

### Auxiliary Equipment

|                   |                                   |
|-------------------|-----------------------------------|
| Generator sets    | Caterpillar C9, 2x 200kW, 250 kVA |
| Fuel Oil Sparator | Westfalia 1740, L/H, OTC-3-02-137 |

### Tank

|                       |                    |
|-----------------------|--------------------|
| Fuel Oil (Approx.)    | 106 m <sup>3</sup> |
| Black/ Grey Water     | 7,5 m <sup>3</sup> |
| Fresh Water (Approx.) | 49 m <sup>3</sup>  |
| Dirty Oil             | 1.2 m <sup>3</sup> |
| Hydr Oil              | 1.9 m <sup>3</sup> |
| Lub Oil               | 1.9 m <sup>3</sup> |
| Gearbox oil           | 1.9 m <sup>3</sup> |
| Bilge Water           | 6 m <sup>3</sup>   |
| Ballast               | 36 m <sup>3</sup>  |

### Deck Lay-Out

|                       |  |
|-----------------------|--|
| Anchor                | 2x 265 kgs   |
| Chain                 | 17,5 mm, Total length: 110   |
| Anchor Winch          | 1, 17,5 mm, hydraulic heeling motor: 140 bar-60 ltr./ min  |
| Forward Crane         | Heila HLRM 230-4SL, Fixed hook SWL 10.3 T at 16.5 mtr winch SWL ST   |
| Aft Crane             | Heila HLRM 140-3S, located CL aft, Fixed hook SWL 10T at 12.17 mtrs.   |
| Handling/towing winch | 50 ton: 7 mtrs/min (low speed) or 21 mtrs/min (high speed)<br>100 ton: 9 mtrs/min (low speed) or 18 mtrs/min (high speed)<br>Towing hook 1x Mampaey 30 ton SWL<br>Tugger winch 1x 15 ton<br>Towing Pins 2x |

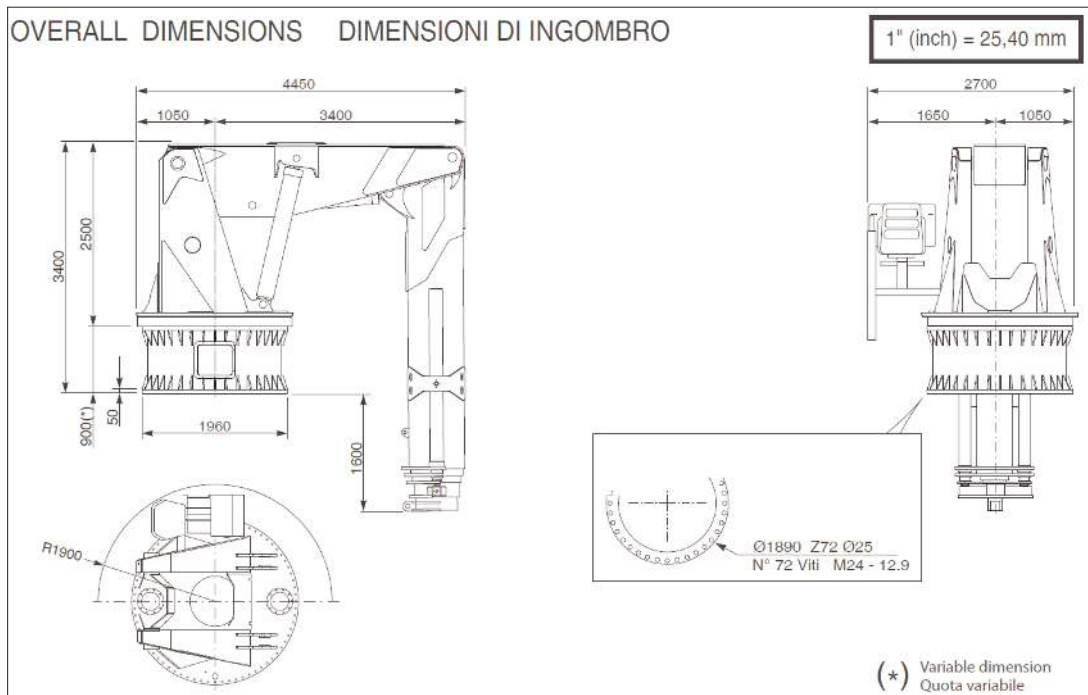
### Accommodation

Heated and air-conditioned living spaces for 7 persons, consisting of 2 double crew cabins, 3 single crew, a galley/mess and sanitary facilities.



# MarineCo Havanah

## HLRM 230/4SL



Hydraulic extensions  
Net lifting moment  
Slewing torque  
Slewing angle (continuous)  
Pump capacity  
Max working pressure  
Empty weight of the crane  
Recommended amount of oil  
Slewing speed  
Main boom lifting time  
Secondary boom articulation time  
Boom element extension time

|                                   |        |         |
|-----------------------------------|--------|---------|
| Sfili idraulici                   | N°     | 4       |
| Momento nominale                  | t-m    | 200     |
| Coppia di rotazione               | kg-m   | 23000   |
| Angolo di rotazione (continuo)    | °      | 360     |
| Portata della pompa               | lt/min | 125+125 |
| Pressione massima di esercizio    | bar    | 290     |
| Peso gru a vuoto                  | kg     | 13000   |
| Quantità di olio consigliata      | lt     | 600     |
| Velocità di rotazione             | rpm    | 0,6     |
| Tempo di sollevamento 1° braccio  | sec    | 35      |
| Tempo di articolazione 2° braccio | sec    | 40      |
| Tempo di estensione sfili braccio | sec    | 70      |

### OPTIONALS A RICHIESTA

Biggest winch:  
10000 kg direct pull winch rope Ø24 L= 60 m (HFW6)  
Winch limit switch  
Slewing limit switch (450°)  
Cabin with windows and wipers  
Size 14 electrohydraulic power pack (150 kW)  
Control panel out of the crane

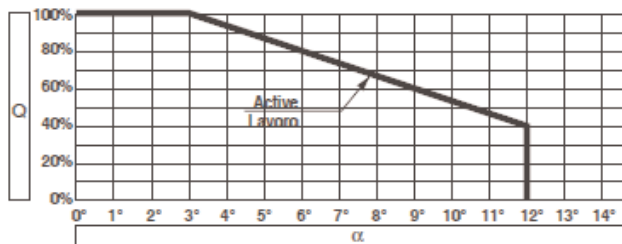
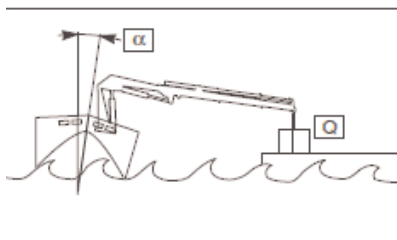
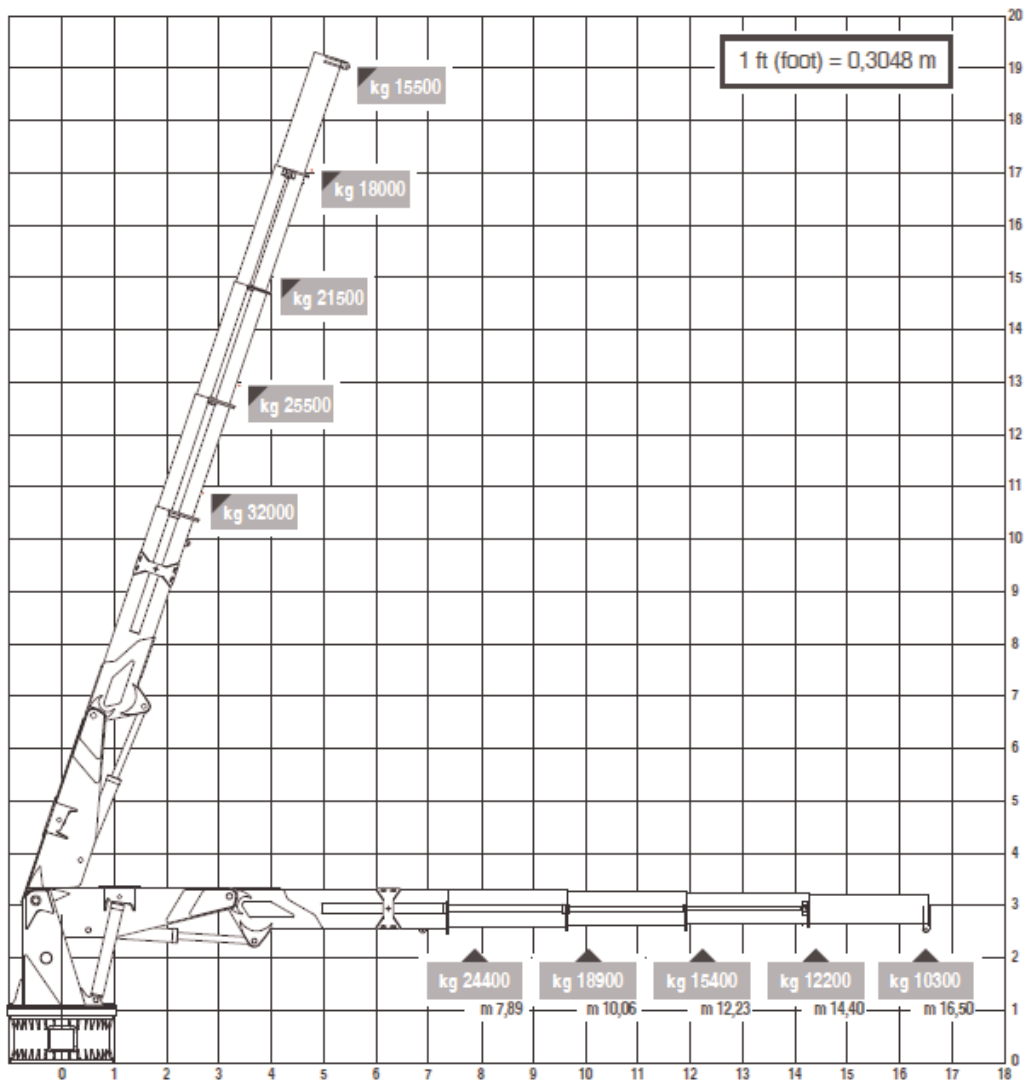
Massima capacità dell'argano:  
10000 kg in tiro diretto fune Ø24 L= 60 m (HFW6)  
Fincorsa argano  
Fincorsa rotazione (450°)  
Cabina con vetri e tergicristalli  
Taglia 14 centralina elettroidraulica (150 kW)  
Comandi distributore fuori macchina



# MarineCo Havanah

## HLRM 230/4SL

**ONLY FOR USE WITH HOOK - SEA STATE - 0 - OR HARBOUR CONDITION)**



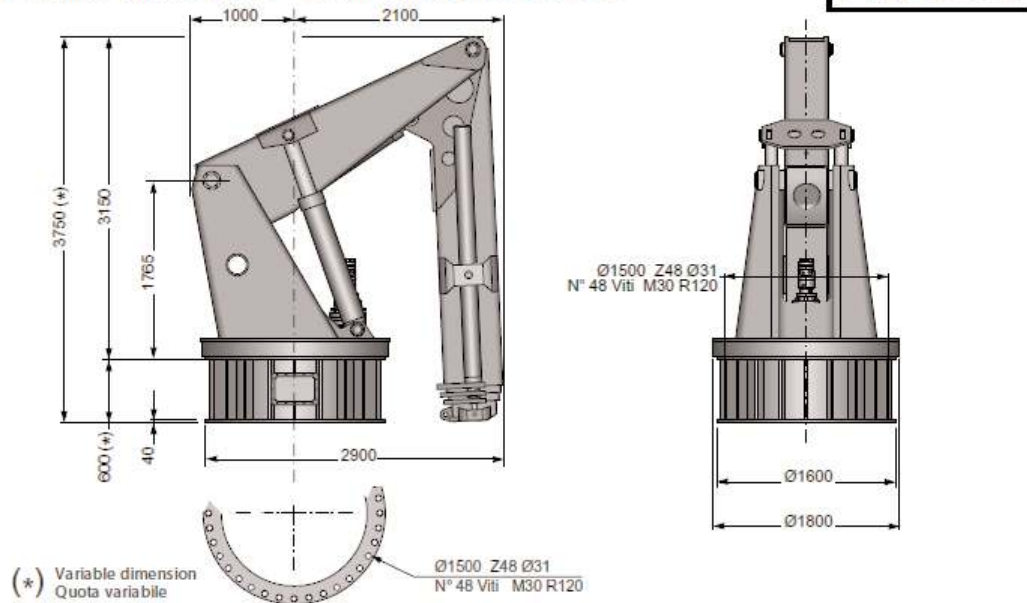


# MarineCo Havanah

## HLRM 140-3S

OVERALL DIMENSIONS

DIMENSIONI DI INGOMBRO



(\* ) Variable dimension  
Quota variabile

Ø1500 Z48 Ø31  
N° 48 Viti M30 R120

### TECHNICAL DATA

### DATI TECNICI

|   |                                   |         |       |
|---|-----------------------------------|---------|-------|
| <i>Hydraulic extensions</i>             | Sfili idraulici                   | N°      | 3     |
| <i>Max torque</i>                       | Momento massimo                   | t-m     | 140   |
| <i>Slewing torque</i>                   | Coppia di rotazione               | kg-m    | 16000 |
| <i>Slewing angle (continuous)</i>       | Angolo di rotazione (continuo)    | °       | 360   |
| <i>Pump capacity</i>                    | Portata della pompa               | l/min   | 60+60 |
| <i>Max working pressure</i>             | Pressione massima di esercizio    | bar     | 280   |
| <i>Crane weight 'empty'</i>             | Peso gru a vuoto                  | kg      | 10500 |
| <i>Quantity of oil recommended</i>      | Quantità di olio consigliata      | l       | 480   |
| <i>Slewing speed</i>                    | Velocità di rotazione             | rad/min | 14    |
| <i>Main boom liftin time</i>            | Tempo di sollevamento 1° braccio  | sec     | 70    |
| <i>Secondary boom articulation time</i> | Tempo di articolazione 2° braccio | sec     | 58    |
| <i>Boom element extension time</i>      | Tempo di estensione sfili braccio | sec     | 90    |

### OPTIONALS

### A RICHIESTA

5 ton direct pull winch rope Ø18  
Sheave block with Ø360 pulley  
Winch limit switch  
Slewing limit switch (400°)  
Cab with windows and wipers  
Electrohydraulic power pack (HP 80)  
Off-machine distributor controls

Verricello da 5 ton. in tiro diretto fune Ø18  
Bozzello con puleggia Ø360  
Fine corsa verricello  
Fine corsa rotazione (400°)  
Cabina con vetri e tergicristalli  
Centralina elettroidraulica (HP 80)  
Comandi distributore fuori macchina